



# MESYS CONVERTIBLE

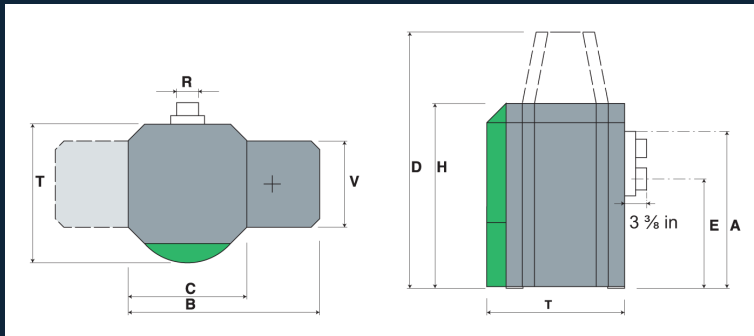
The MESys Convertible is a standard MESys boiler adapted to be bag fed with about 300 pounds of pellets in a load. The Convertible easily upgrades to a MESys AutoPellet boiler and is a simple first step for the pellet boiler buyer.

## Convertible Features

- OMNI listed to UL standards
- 87.7% Efficiency
- Two Stage Combustion
- Stainless Steel Combustion Chamber
- Programmable Logic Controller for Modulated Heat Output
- Digital LCD Controller Interface
- Automatic Electric Ignition with Low Energy (250W) Glow Plug
- Burnback Fire Prevention Through Air-Tight Spring Actuated Valve
- Automatic Flame Tube Cleaning Mechanism
- Bottom Fed Pellet Burner Requires No Down Time for Burner Ash Removal
- Combustion Sensor Continuously Monitors Burner Efficiency
- Pressure Sensor and Flue Gas Fan Safely Control Draft

## Optional Convertible Features

- External Detachable Ash Box for Easy and Clean Ash Removal
- Pellet Fuel Automatically Fed by Vacuum from Bulk Storage



The MESys Convertible must be installed by a trained and certified MESys contractor.

Boiler Rated Power	BTU/ht	68,300
Width - total	B Inch	44.5
Width - boiler	C Inch	27.5
Height - boiler	H Inch	43
Height - fuel chamber	D Inch	62
Depth - boiler	T Inch	32
Depth - burner casing	V Inch	20
Water Supply / return dimensions	Inch	1
Water Supply / return height of connection	A Inch	35.75
Flue Size - diameter	R Inch	5
Flue - height of connection	F Inch	25.5
Overall Weight	Lb	631
Water Capacity	Gal	15



**MESYS**

MAINE ENERGY SYSTEMS

*Cheaper. Cleaner. Closer.*

MaineEnergySystems.com | (207) 824-NRGY (6749)